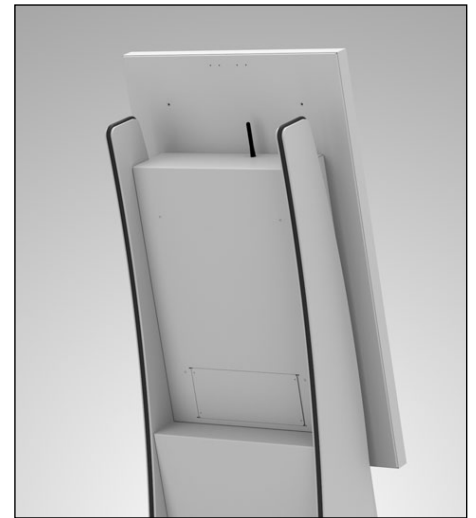




HIGHLIGHTS

- Integrated PC-Box Intel® Core™ i3/i5/i7 (Skylake) or display only variant
- Minimal footprint, perfect for retail
- Optional integrated imager, thermal printer
- Different mounting options available (standalone, freestanding, wallmount)
- Full HD display (1920x1080)



polytouch® 32 curve (upper position) rear view with WiFi-antenna and black inlays

polytouch® 32 curve

Overview

DISPLAY

| | |
|---------------|----------------------|
| Screen size | 82 cm (32") |
| Resolution | 1920x1080 (Full HD) |
| Brightness | 500 cd/m2 |
| Contrast | 3000:1 |
| Viewing angle | 178° h/v |
| Bonding | Optical bonding |
| Coating | Glare/Anti-Glare |
| Connector | HDMI, DVI, VGA, LVDS |

PERIPHERAL OPTIONS

Microphone
Camera
Line-Out
USB
Scanner

TOUCHSENSOR

| | |
|----------------------|----------------------------------|
| Touch technology | Projected Capacitive Touch (PCT) |
| Simultaneous touches | 10 touches |

polytouch® 32 curve

Overview

CHASSIS

| | |
|------------------------|---|
| Material | Stainless steel, powder coated |
| Dimensions (H x W x D) | 791 x 486 x 78 mm |
| Weight | Display only approx. 22 kg PC Box approx. 5 kg Display + PC-Box + VESA standard (=Wallmount) approx. 32/42 kg (net/gross) |
| Mounting | Pedestal, VESA standard 300 x 300, Wallmount |
| Frame colours/material | RAL 9005 (black) DEFAULT RAL 9010 (white) RAL customer specific Real wood |

COMPUTER UNIT (PC-BOX)

| | |
|------------|---|
| Processor | Intel® Core™ i3/i5/i7 Skylake |
| Chipset | Intel® Q170 Chipset |
| Graphics | Intel® HD530 Graphics |
| Memory | up to 16 GB |
| Storage | up to 256 GB |
| LAN | 2 x 1GbE LAN WiFi-antenna |
| OS | Windows 7 (32/64 Bit), Windows 8 (32/64 Bit), Windows 10 (32/64 Bit), Ubuntu Linux, Android |
| Interfaces | 1 x DC-out 4 x USB 2.0 4 x USB 3.0 2 x COM 2 x RJ45 1x DisplayPort |

POWER (INCL. PC-BOX)

| | |
|---------------|--------------------------------------|
| Power supply | Internal, max. 350 W, active cooling |
| Power input | max. 272 W |
| Input voltage | 100-240 V AC, 50-60 Hz |

POWER (DISPLAY ONLY)

| | |
|---------------|-----------|
| Power input | max. 45 W |
| Input voltage | 12 V |

PEDESTAL

| | |
|---------------------------|---|
| Material | Steel, powdercoated |
| Dimensions (HxWxD) | 1730 x 780 x 500 mm (upper position) 1650 x 780 x 500 mm (lower position) 1450 x 485 x 275 mm (Wallmount) |
| Weight pedestal | Approx. 80 kg |
| Weight pedestal + display | Approx. 110 kg |
| Mounting | Standalone, Freestanding, Wallmount |
| Colour | RAL 9005 (black) DEFAULT RAL 9010 (white) RAL customer specific |
| Inlay colour | RAL 9005 (black) RAL 9010 (white) DEFAULT RAL customer specific Real wood RGB LED (16 million colours) |
| Display angle | 20° |

polytouch® 32 pedestal curve

Overview

OPTIONAL COMPONENTS

| | |
|---|--|
| Printer | 80 mm thermal printer (60 mm optional) 80 mm roll diameter Max. 250 mm/s print speed |
| Scanner/Imager | 1D/2D OEM barcode QR-code imager |
| Bag shelf | |
| Bumper | |
| Scanner shelf | |
| Payment module | |
| Customer specific labeling (area on request, example see drawing on page 5) | |
| Customer specific printing (area on request, example see drawing on page 5) | |

CERTIFICATIONS

CE, further certifications on request



polytouch® 32 curve (Wallmount) with scanner and printer



polytouch® 32 curve (upper position) with scanner shelf (p.ex. for mobiles)

ds_pt32_curve_re_1.1_EN · specification is subject to change

polytouch[®] 32 curve configuration variants



polytouch[®] 32 curve (upper position) front view with white inlays and baseplate



polytouch[®] 32 curve (lower position) side view with real wood inlays/frame and baseplate



polytouch[®] 32 curve (freestanding) with camera, microphone, blue RGB LED inlays and labeling

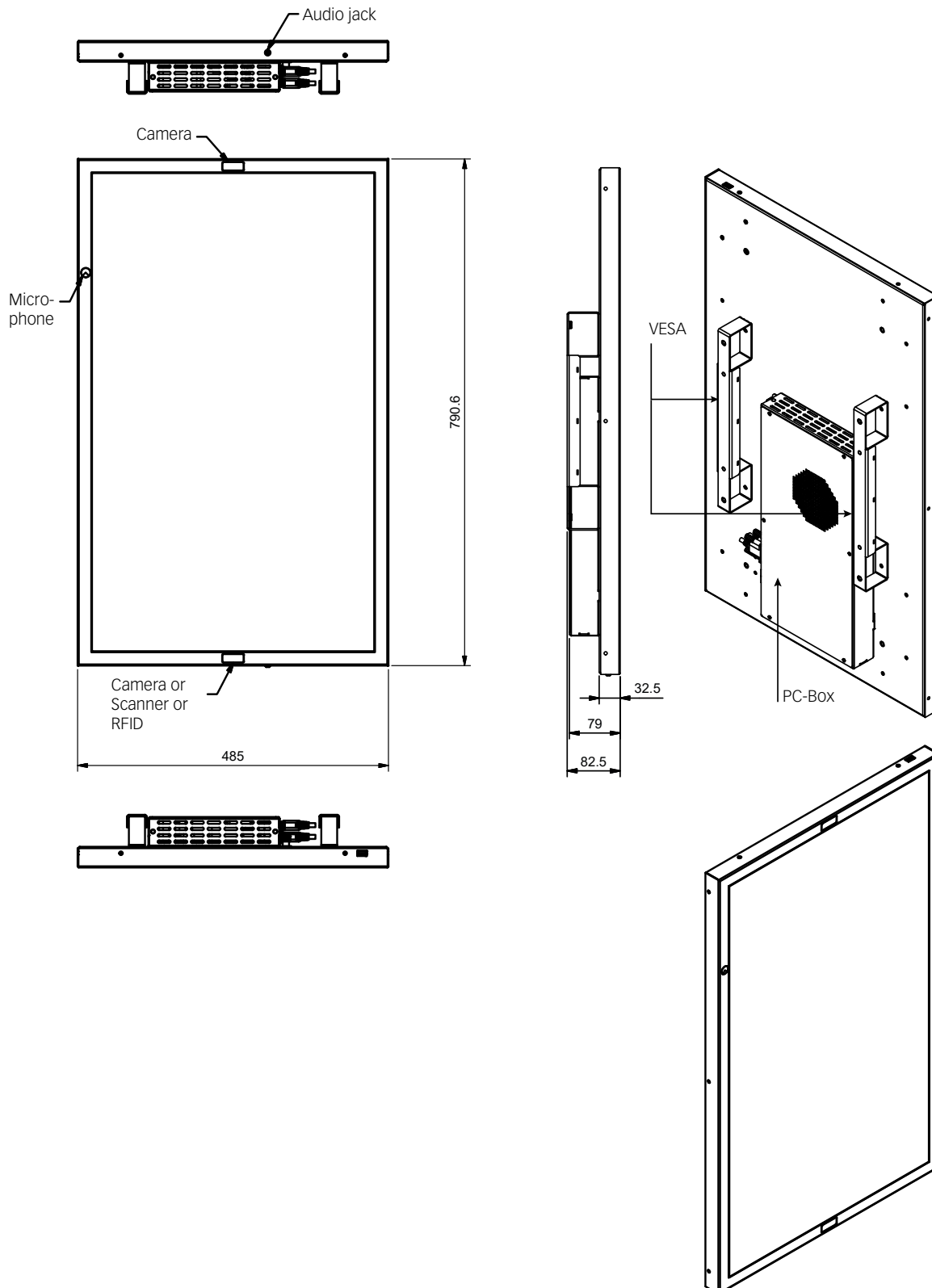


polytouch[®] 32 curve (upper position) with scanner, printer, white inlays, bumper and bag shelf

polytouch[®] 32 curve VESA mounting

Dimensions (in mm)

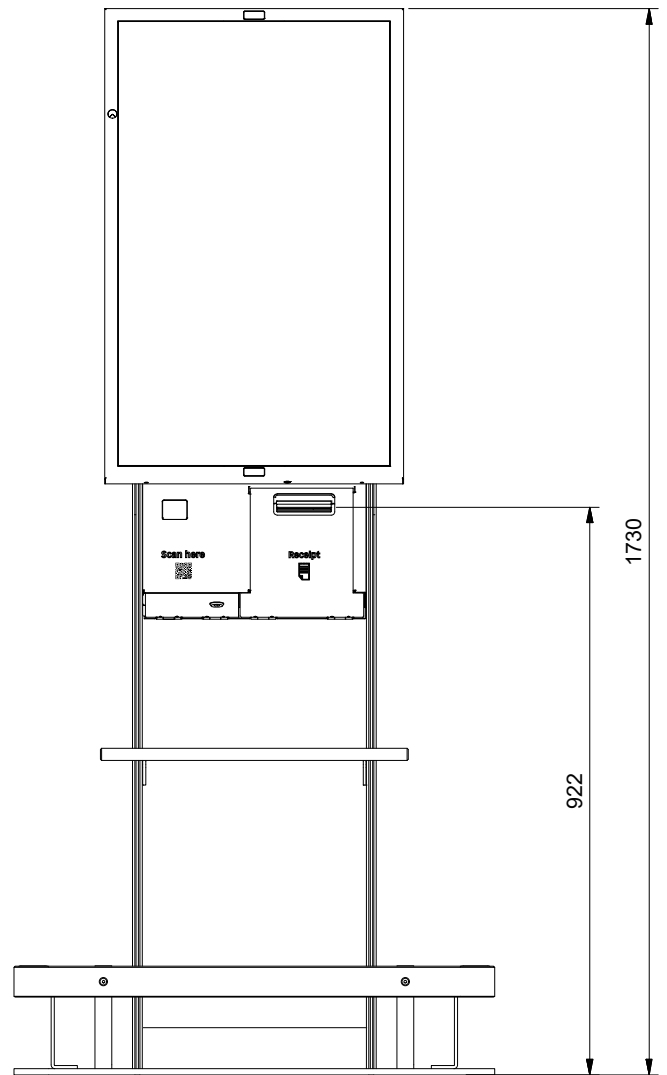
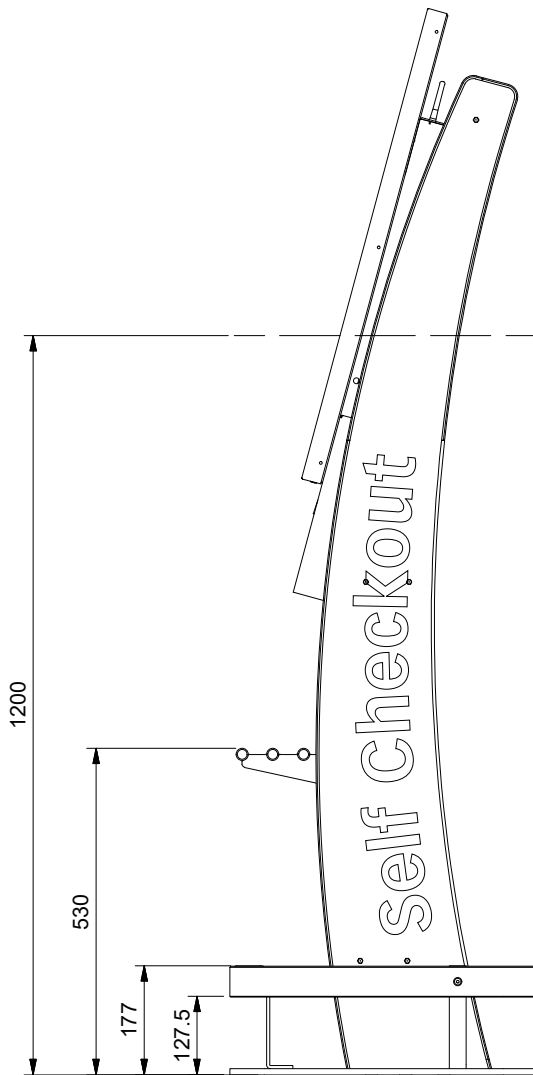
Figure shows configuration variant



polytouch[®] 32 curve

Dimensions (in mm)

Figure shows configuration variant

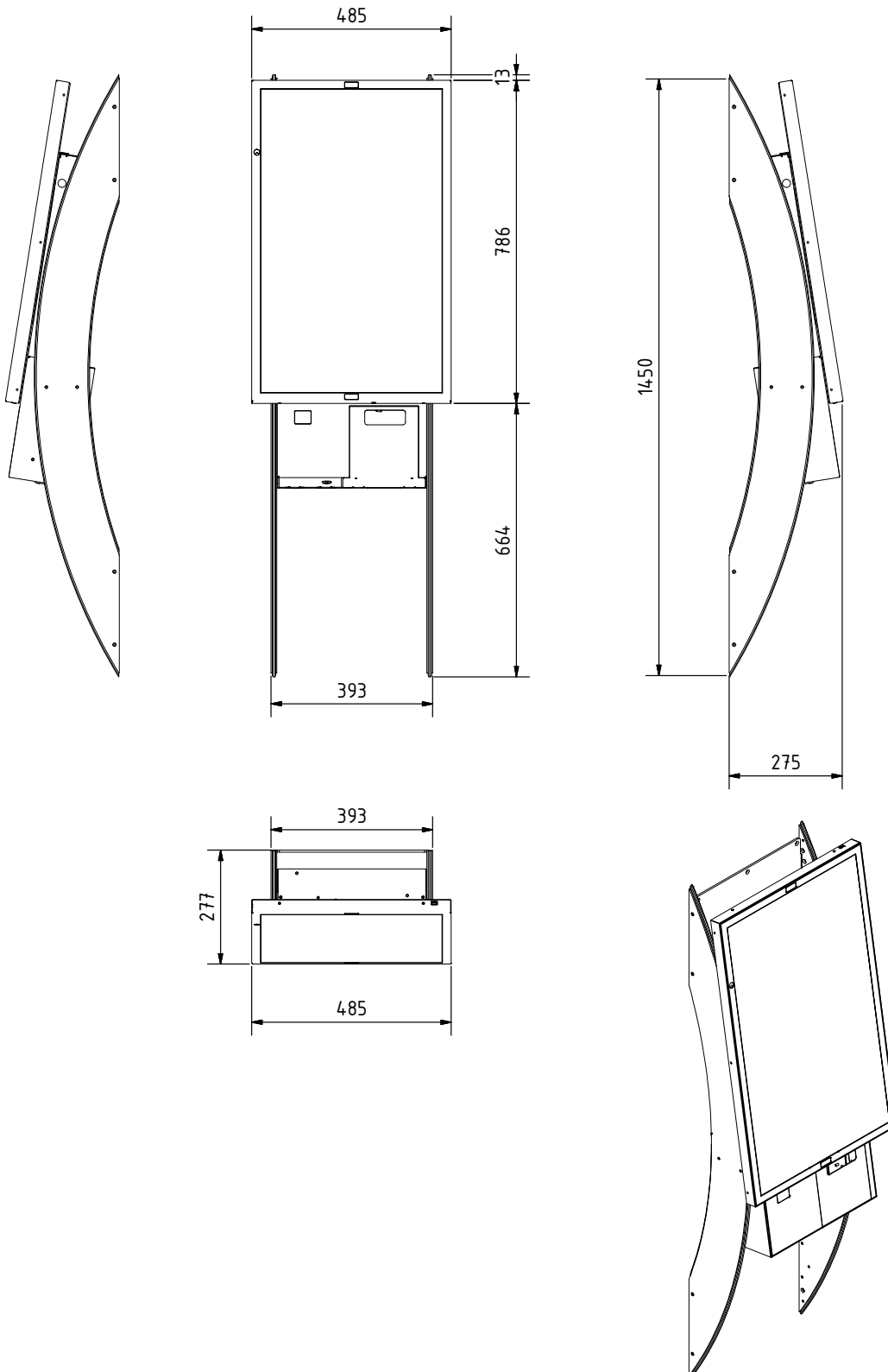


polytouch[®] 32 curve incl. body, bag shelf, bumper and baseplate

polytouch[®] 32 curve Wallmount

Dimensions (in mm)

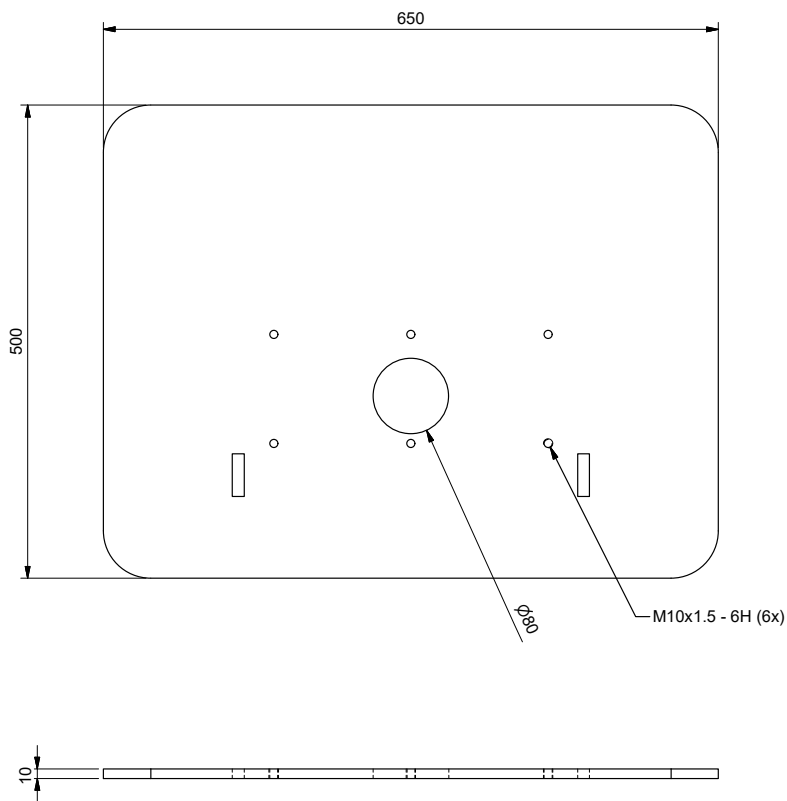
Figure shows configuration variant



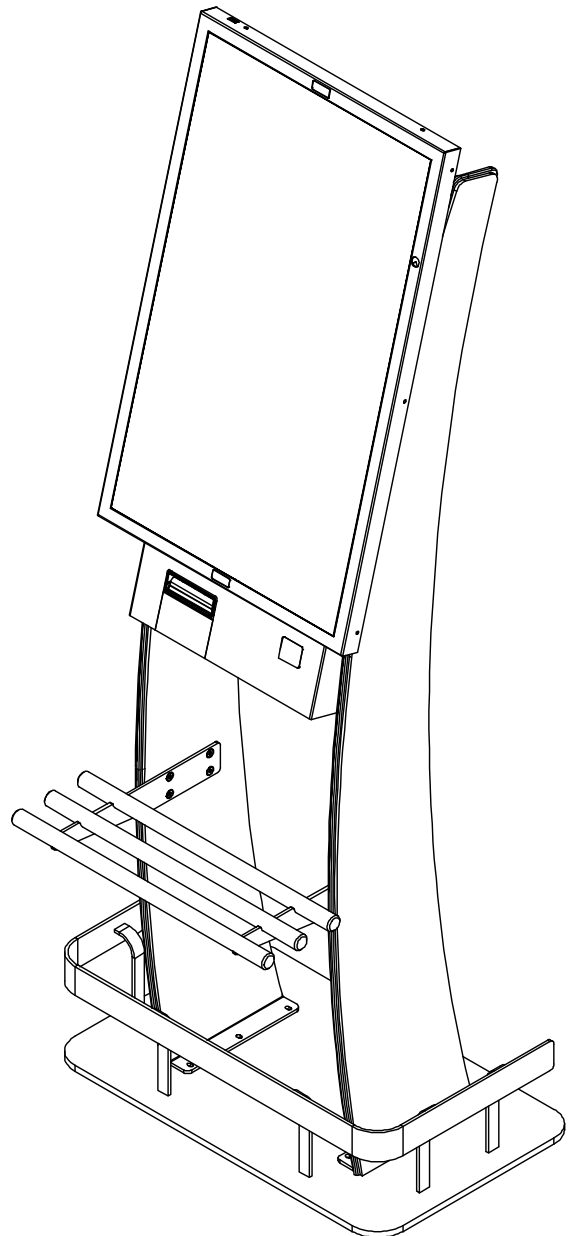
polytouch[®] 32 curve baseplate

Dimensions (in mm)

Figure shows configuration variant



polytouch[®] 32 curve baseplate isometric view

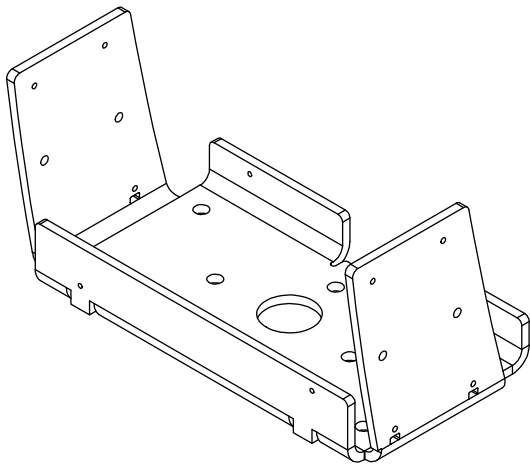
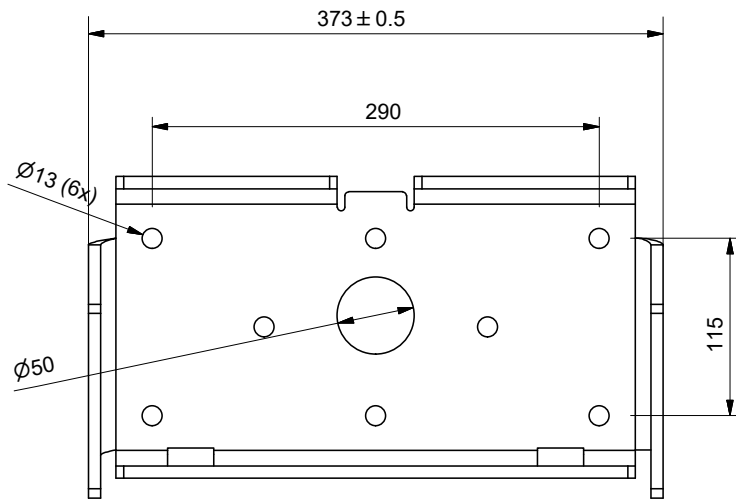


ds_pt32_curve_rel_1_1_EN · specification is subject to change

polytouch[®] 32 curve freestanding

Dimensions (in mm)

Figure shows configuration variant



polytouch[®] 32 curve freestanding isometric view

